

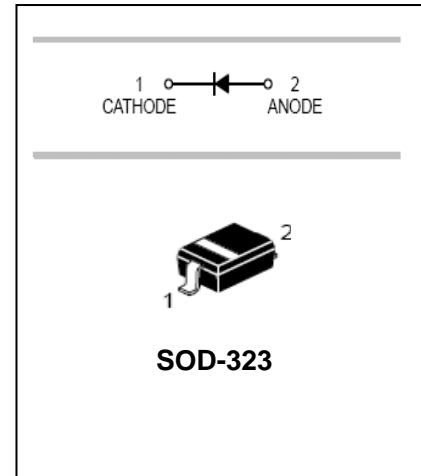


Schottky Barrier Diode

RB551V-30

FEATURES

- High current rectifier schottky diode
- Low voltage;Low inductance
- For power supply



APPLICATIONS

- High frequency rectification

ORDERING INFORMATION

Type No.	Marking	Package Code
RB551V-30	D	SOD-323

MAXIMUM RATING @ Ta=25°C unless otherwise specified

Parameter	Symbol	Limits	Unit
Peak reverse voltage	V_{RM}	30	V
DC reverse voltage	V_R	20	V
Mean rectifying current	I_O	0.5	A
Peak forward surge current	I_{FSM}	2	A
Junction temperature	T_j	125	°C
Storage temperature	T_{stg}	-40 to +125	°C

ELECTRICAL CHARACTERISTICS @ Ta=25°C unless otherwise specified

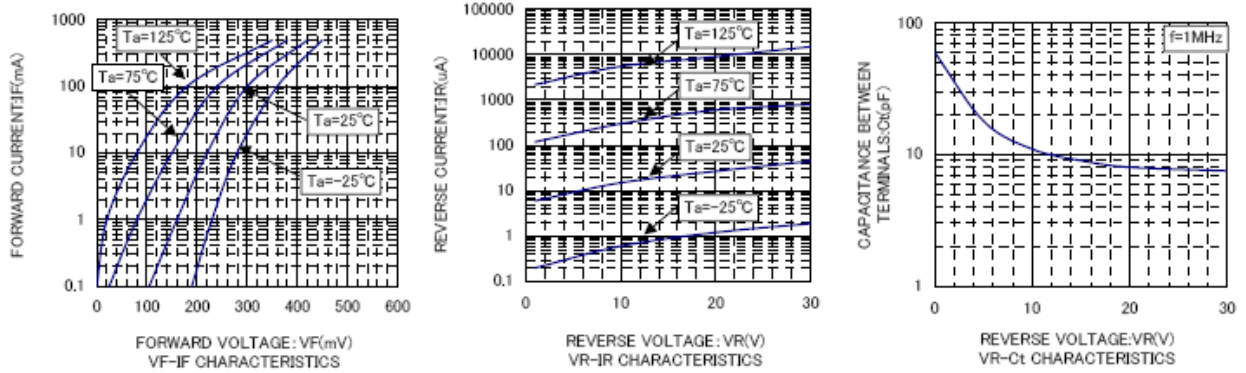
Parameter	Symbol	Min.	Typ.	Max.	Unit	Conditions
Forward voltage	V_F			0.36 0.47	V	$I_F=100mA$ $I_F=500mA$
Reverse current	I_R			100	μA	$V_R=20v$



Schottky Barrier Diode

RB551V-30

TYPICAL CHARACTERISTICS @ Ta=25°C unless otherwise specified



PACKAGE OUTLINE

Plastic surface mounted package

SOD-323

The drawing shows three views of the SOD-323 package: a top view with dimensions K, B, and D; a side view with dimension C; and a bottom view with dimensions J, E, and H.

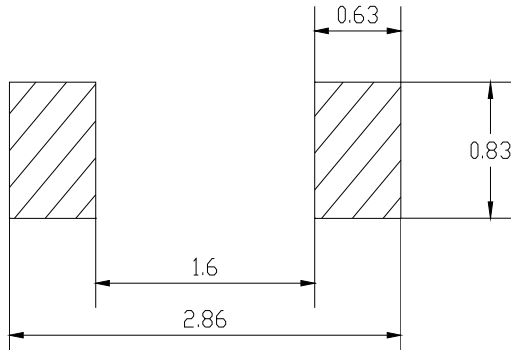
SOD-323		
Dim	Min	Max
A	1.275	1.325
B	1.675	1.725
C	0.9 Typical	
D	0.30 Typical	
E	0.27	0.37
H	0.02	0.1
J	0.1 Typical	
K	2.6	2.7
All Dimensions in mm		



Schottky Barrier Diode

RB551V-30

SOLDERING FOOTPRINT



Unit : mm

PACKAGE INFORMATION

Device	Package	Shipping
RB551V-30	SOD-323	3000/Tape&Reel